

# Hallway

DALI-2 APC - concealed  
 EAN 4007841 058029  
 Article number 058029



max. 25 x 3 m

2000 W

2000 W max. (LED-ready)



IP20



10 sec - 60 min



2 - 2000 lux



2 - 4 m

iQ

iQ-mode

Teach

Teach mode



Application Controller

5 years

manufacturer's warranty steinel-professional.de/garantie

## Function description

The cleverer hallway sensor knows more. Perfect radial detection up to 25 m – ideal for long corridors and hallways. Reach can be adjusted in both directions. Contemporary Control PRO II design. Featuring Bluetooth technology. Interfaces for COM1, COM2, DALI-2 APC, DALI-2 IPD, KNX, IP and BT IPD (Slave).

## Technical specifications

Dimensions (L x W x H)	67 x 103 x 103 mm	Optimum mounting height	2,8 m
With motion detector	Yes	HF-system	5,8 GHz
Manufacturer's Warranty	5 years	Detection	also through glass, wood and stud walls
Settings via	Bluetooth	Detection angle	Aisle, 360 °
With remote control	No	Angle of aperture	140 °
Version	DALI-2 APC - concealed	Sneak-by guard	Yes
PU1, EAN	4007841058029	Capability of masking out individual segments	No
Type	Presence detector	Electronic scalability	Yes
Application, place	Indoors	Mechanical scalability	No
Application, room	Indoors, corridor / aisle	Reach, radial	25 x 3 m (75 m <sup>2</sup> )
Colour	white	Reach, tangential	25 x 3 m (75 m <sup>2</sup> )
Colour, RAL	9003	Transmitter power	< 1 mW
Includes corner wall mount	No	Functions	Semi-/fully automatic, Constant-lighting control, Lighting scenario, Master/slave override, Neighbouring group function, TouchDIM function, Normal / test
Installation site	ceiling		
Installation	Concealed wiring, Ceiling		
IP-rating	IP20		
Ambient temperature	-20 – 50 °C		

# Hallway

DALI-2 APC - concealed  
EAN 4007841 058029  
Article number 058029



## Technical specifications

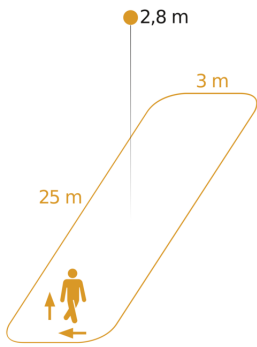
Material	Plastic
Mains power supply	220 – 240 V / 50 – 60 Hz
Power supply, detail	max. 64 users
Steuerausgang, Dali	Addressable / broadcast 64 electronic ballasts
Technology, sensors	High frequency, Light sensor
Mounting height	2,00 – 4,00 m
Mounting height max.	4,00 m

	mode, Pushbutton / switch mode, Manual ON / ON-OFF, Constant-lighting control ON-OFF
Twilight setting	2 – 2000 lx
Time setting	10 s – 60 Min.
Basic light level function	Yes
Basic light level function time	10 min, all day, all night
Main light adjustable	50 - 100 %
Twilight setting TEACH	No
Constant-lighting control	Yes
Interconnection	Yes
Type of interconnection	Master/master, Master/slave
Interconnection via	Bluetooth, DALI bus

# Hallway

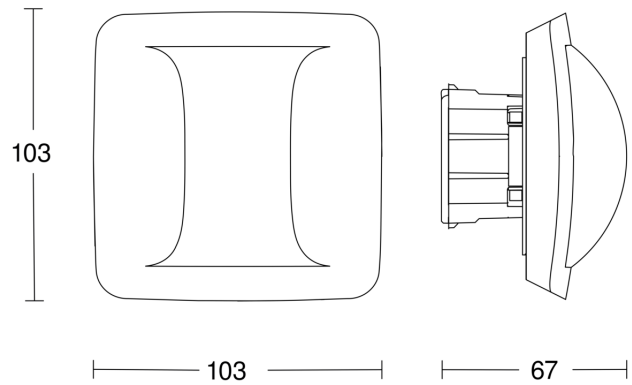
DALI-2 APC - concealed  
 EAN 4007841 058029  
 Article number 058029

## Detection Zone

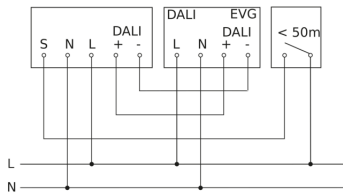


Possible mounting height: 2,00 m - 4,00 m  
 Orange: radial and tangential

## Dimension Drawing



## Master circuit diagram



## Master/slave interconnection circuit diagram

