

Hallway

DALI-2 APC - concealed
 EAN 4007841 058029
 Article number 058029



Max. 25 x 3 m

2000 W

2000 W Max. (LED-fähig)



IP20



10 Sek - 60 Min



2 - 2000 Lux



2 - 4 m

iQ

iQ-mode

Teach

Teach mode



Application Controller

5 years

Herstellergarantie
 steinel-
 professional.de/
 garantie

Function description

The cleverer hallway sensor knows more. Perfect radial detection up to 25 m – ideal for long corridors and hallways. Reach can be adjusted in both directions. Contemporary Control PRO II design. Featuring Bluetooth technology. Interfaces for COM1, COM2, DALI-2 APC, DALI-2 IPD, KNX, IP and BT IPD (Slave).

Technical specifications

| | | | |
|----------------------------|---------------------------|---|---|
| Dimensions (L x W x H) | 67 x 103 x 103 mm | Optimum mounting height | 2,8 m |
| With motion detector | Yes | HF-system | 5,8 GHz |
| Manufacturer's Warranty | 5 years | Detection | also through glass, wood and stud walls |
| Settings via | Bluetooth | Detection angle | Aisle, 360 ° |
| With remote control | No | Angle of aperture | 140 ° |
| Version | DALI-2 APC - concealed | Sneak-by guard | Yes |
| PU1, EAN | 4007841058029 | Capability of masking out individual segments | No |
| Type | Presence detector | Electronic scalability | Yes |
| Application, place | Indoors | Mechanical scalability | No |
| Application, room | Indoors, corridor / aisle | Reach, radial | 25 x 3 m (75 m ²) |
| Colour | white | Reach, tangential | 25 x 3 m (75 m ²) |
| Colour, RAL | 9003 | Transmitter power | < 1 mW |
| Includes corner wall mount | No | Functions | Semi-/fully automatic, Constant-lighting control, Lighting scenario, Master/slave override, Neighbouring group function, TouchDIM function, Normal / test |
| Installation site | ceiling | | |
| Installation | Concealed wiring, Ceiling | | |
| IP-rating | IP20 | | |
| Ambient temperature | -20 – 50 °C | | |

Hallway

DALI-2 APC - concealed
EAN 4007841 058029
Article number 058029



Technical specifications

| | |
|----------------------|--|
| Material | Plastic |
| Mains power supply | 220 – 240 V / 50 – 60 Hz |
| Power supply, detail | max. 64 users |
| Steuer Ausgang, Dali | Addressable / broadcast 64 electronic ballasts |
| Technology, sensors | High frequency, Light sensor |
| Mounting height | 2,00 – 4,00 m |
| Mounting height max. | 4,00 m |

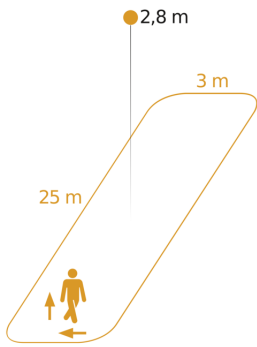
mode, Pushbutton / switch mode,
Manual ON / ON-OFF, Constant-
lighting control ON-OFF

| | |
|---------------------------------|----------------------------|
| Twilight setting | 2 – 2000 lx |
| Time setting | 10 s – 60 Min. |
| Basic light level function | Yes |
| Basic light level function time | 10 min, all day, all night |
| Main light adjustable | 50 - 100 % |
| Twilight setting TEACH | No |
| Constant-lighting control | Yes |
| Interconnection | Yes |
| Type of interconnection | Master/slave |
| Interconnection via | Bluetooth, DALI bus |

Hallway

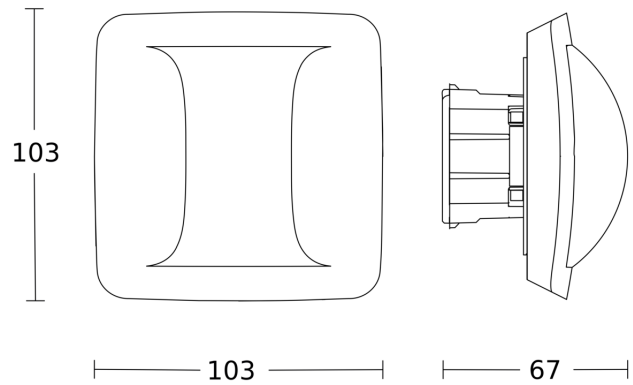
DALI-2 APC - concealed
 EAN 4007841 058029
 Article number 058029

Detection Zone

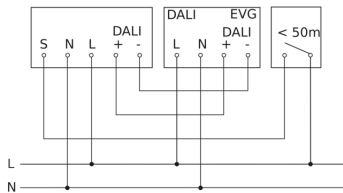


Possible mounting height: 2,00 m – 4,00 m
 Orange: radial and tangential

Dimension Drawing



Master circuit diagram



Master/slave interconnection circuit diagram

